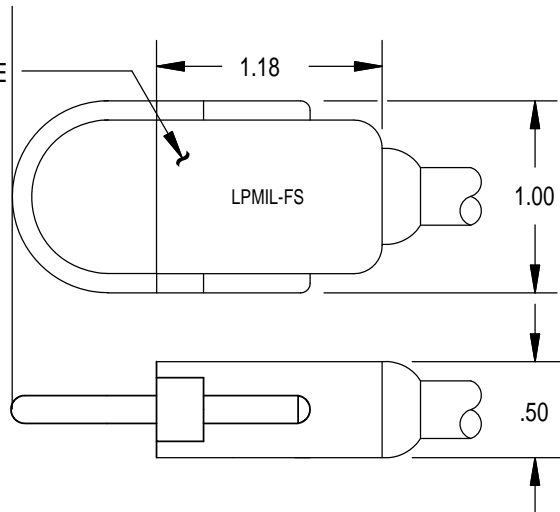
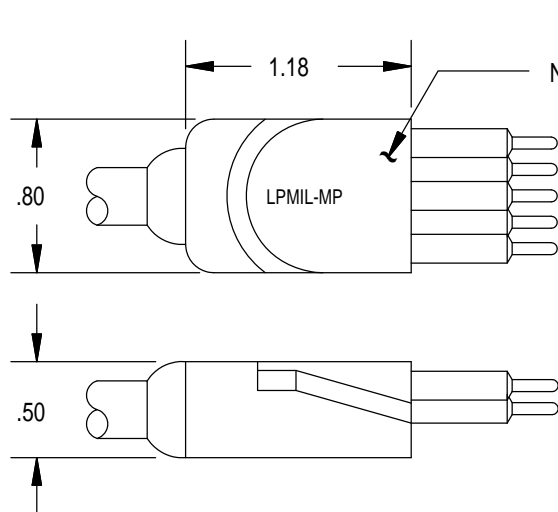
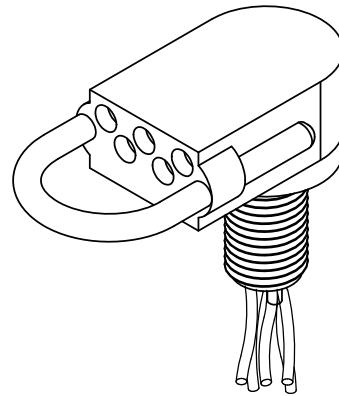
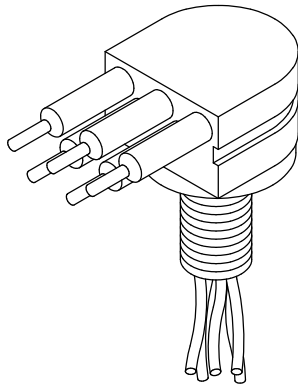
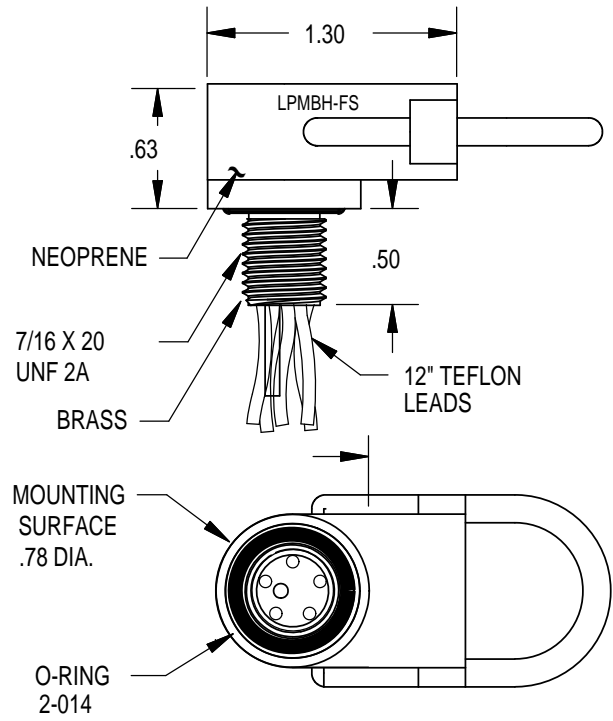
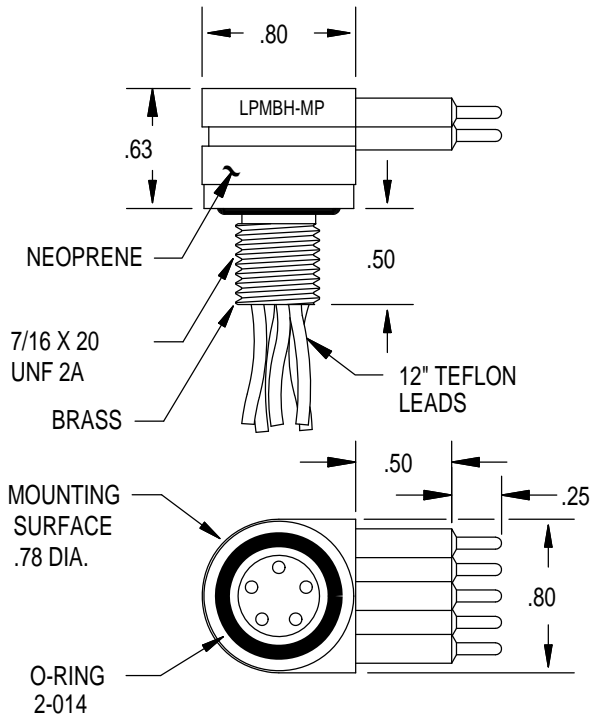
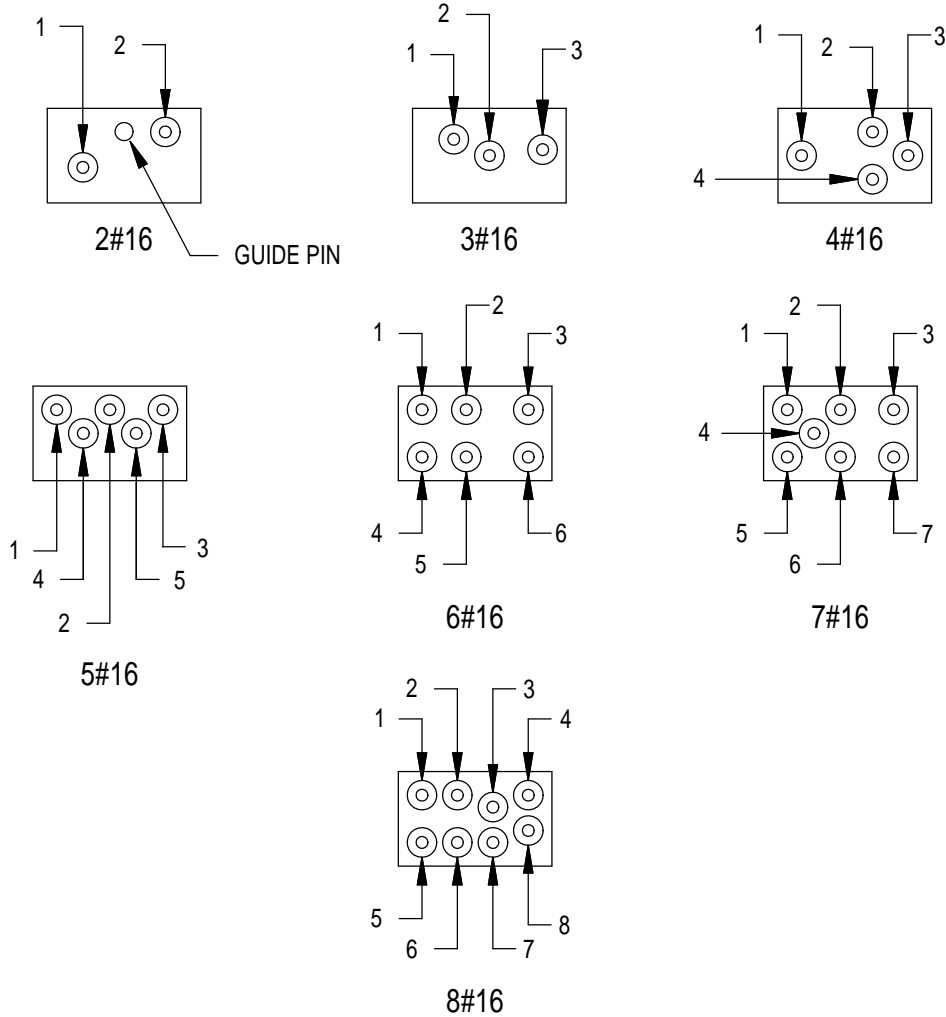

DESCRIPTION AND MATERIAL	<ul style="list-style-type: none">• Molded neoprene or polyurethane.• Two to eighteen contacts, 16 AWG.• Up to 750 VDC.• Up to 10,000 PSI, mated.• Bulkhead connector design open face pressure rated to 5000 PSI.• Contacts gold plated per MIL-G-45204.
CABLE	<ul style="list-style-type: none">• Inline connectors in this series are molded on a standard 24" length of cable, #20 AWG, unless otherwise specified.• Bulkhead connectors have 12" teflon leads, Type E per MIL 16878/4, 18 AWG.
USES	<ul style="list-style-type: none">• Light to medium duty applications.• Hazardous environments.
GUIDELINES	<ul style="list-style-type: none">• All mounting surfaces require a 32 finish.• Lubricate mating surface with 3M Silicone Lubricant or equivalent, DO NOT grease! Connectors must be lubricated on a regular basis.• Lubricate o-ring with Dow Corning #111 Valve Lubricant or equivalent.• Replace o-rings when re-using connectors.• Avoid nicks and cuts around contacts as these are the sealing surfaces.• Elastomers can be seriously degraded if exposed to direct sunlight or high ozone levels for extended periods of time.• Connectors should not be allowed to dry out. If this occurs soak in water before use.• Do not over tighten bulkhead nuts.• Do not pull on cable to disconnect.• Avoid sharp bends at cable entry to connector.
ORDERING INFORMATION	<ul style="list-style-type: none">• Bulkhead connectors do not come with nuts and washers. Nuts and washers should be ordered separately.

LPMBH/LPMIL

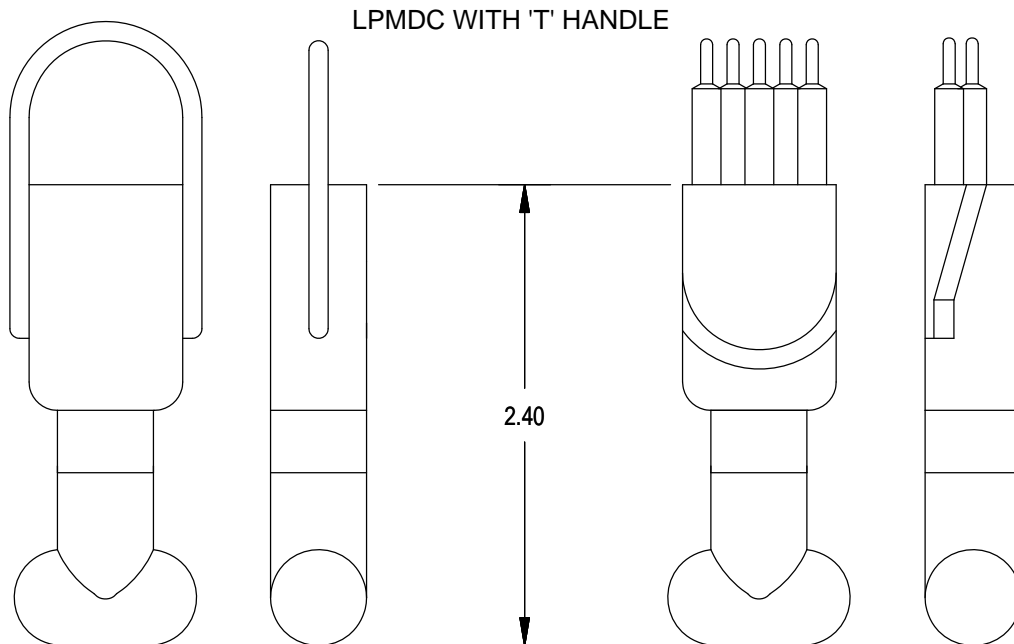
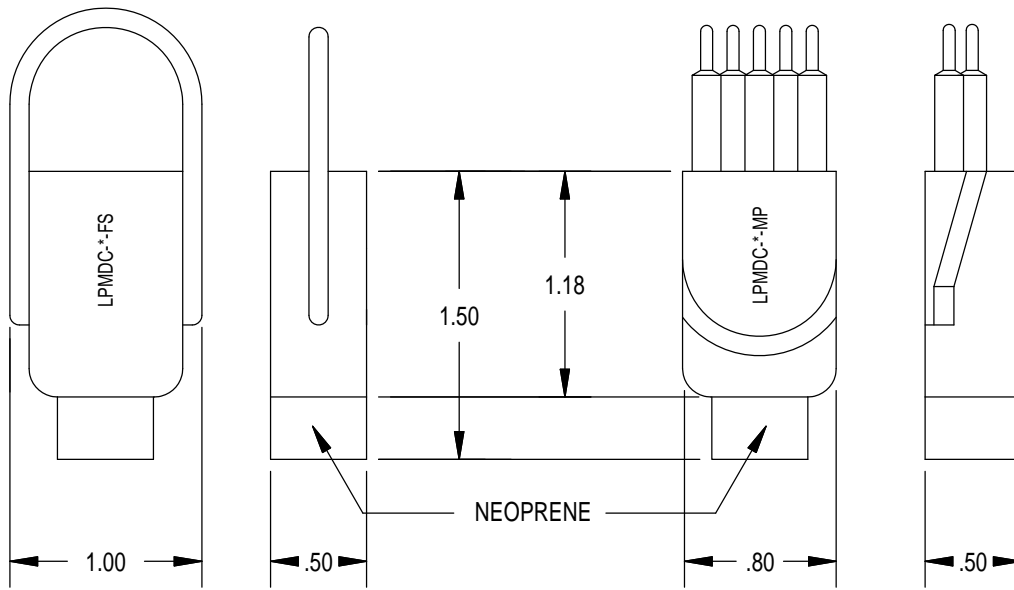
MINI WET PLUGGABLE SERIES



**CONTACT
CONFIGURATION**
(MP FACE VIEWS)

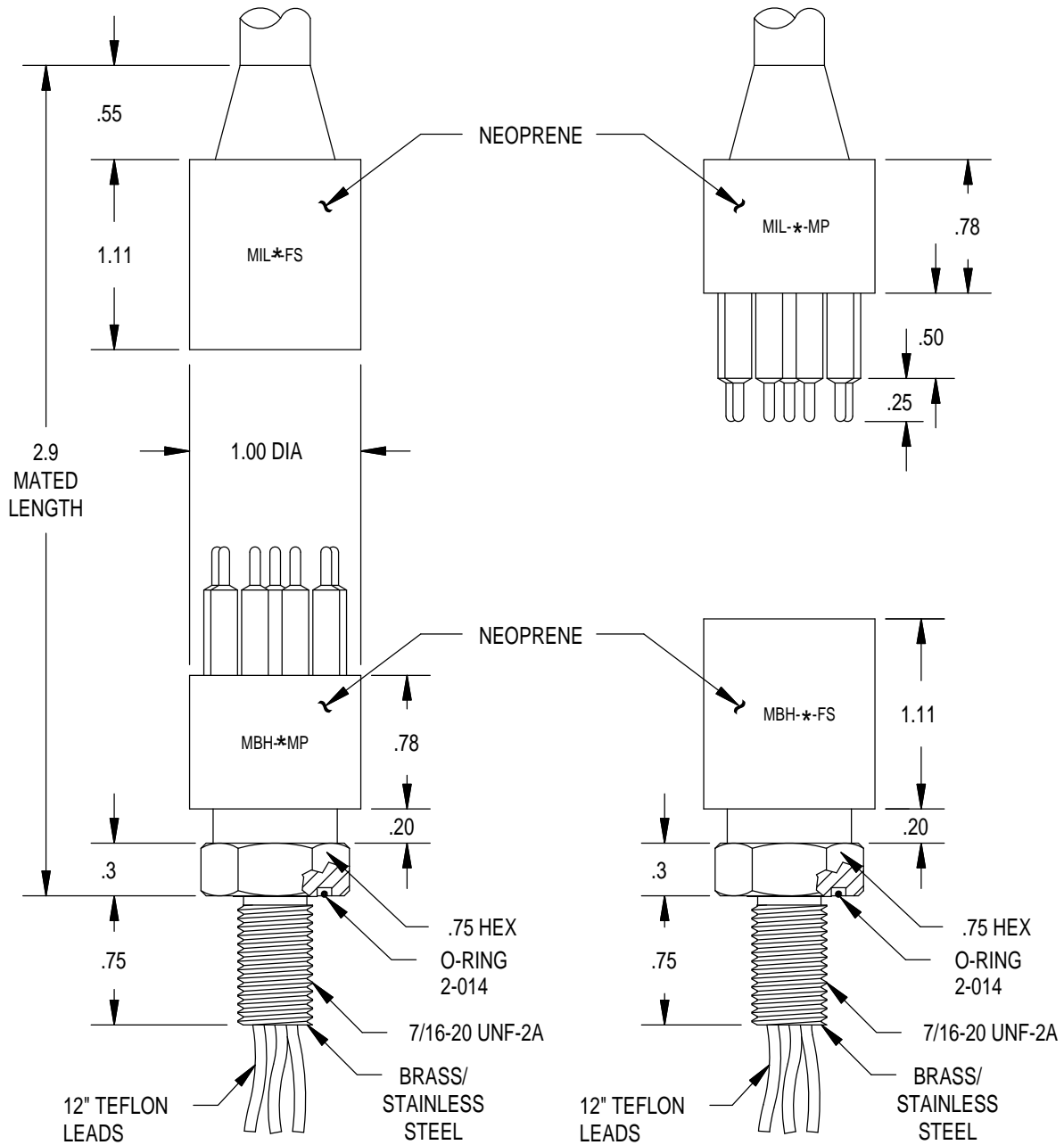


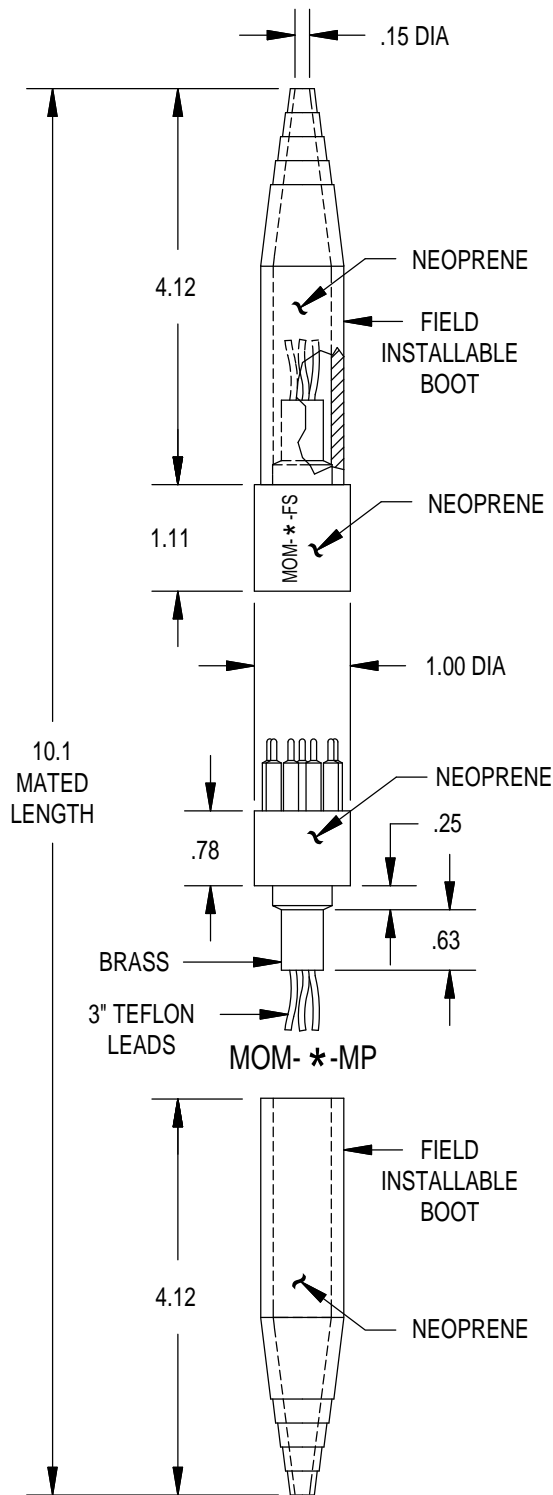
MOUNTING TORQUE LPMBH	not to exceed 100 in lbs	MATED PRESSURE RATING (psi)	10,000
DUMMY PLUG FOR LPMBH-MP, LPMIL-MP	LPMDC-**-FS	DUMMY PLUG FOR LPMBH-FS, LPMIL-FS	LPMDC-**-MP
<p>NOTE: Standard 1/2" thread length. * Specify number of contacts. * Dummy plugs found on page 65 83.</p>			



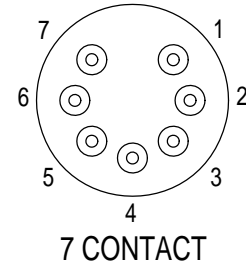
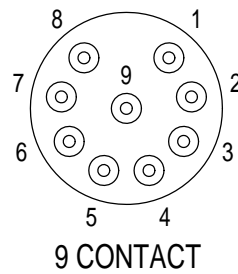
* Specify number of contacts.

THIS PAGE INTENTIONALLY LEFT BLANK

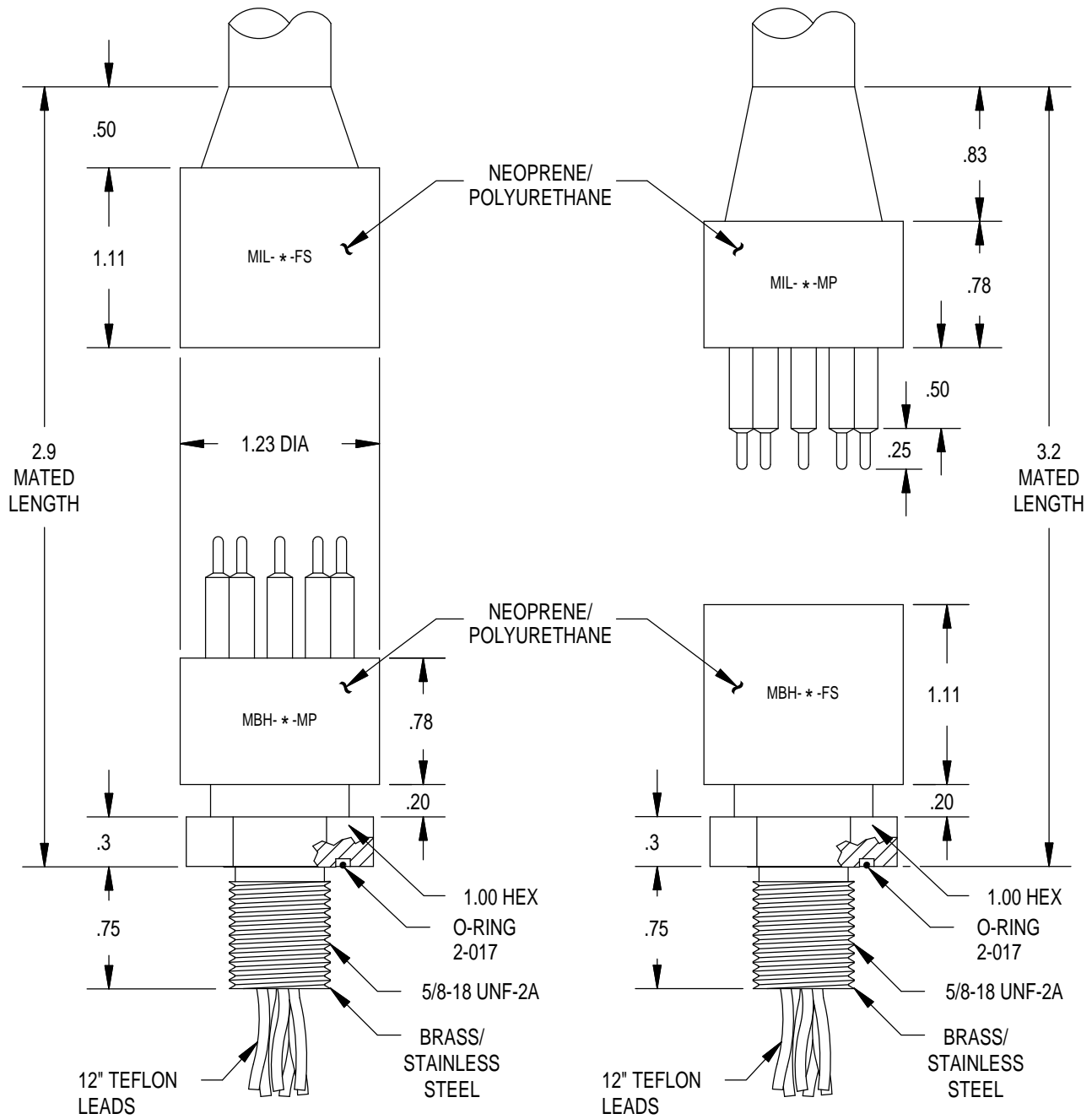


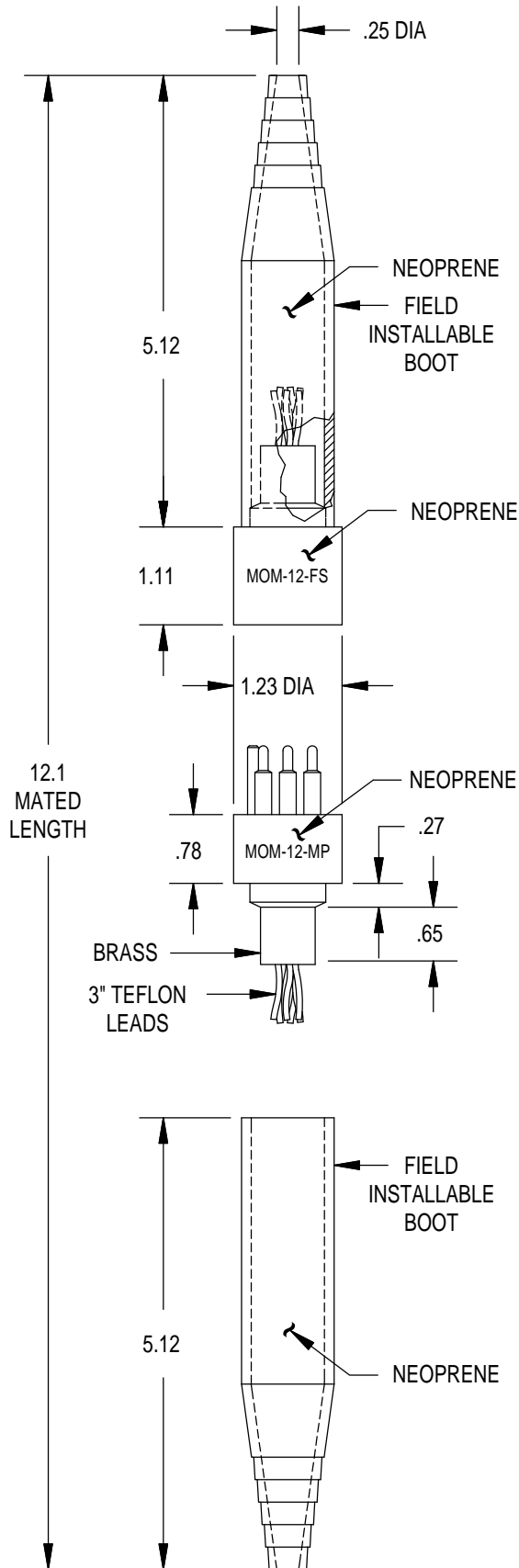


**CONTACT
CONFIGURATION**
(MP FACE VIEW)

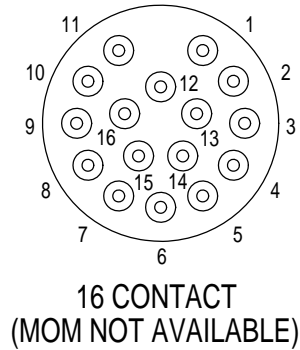
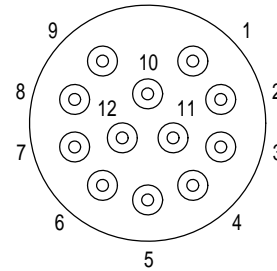


MOUNTING TORQUE FOR MBH-FS/MP	not to exceed 100 in lbs
MATED PRESSURE RATING (psi)	10,000
DUMMY PLUG FOR MBH-FS, MIL-FS, MOM-FS	MDC-*MP
DUMMY PLUG FOR MBH-MP, MIL-MP, MOM-MP	MDC-*FS
<p>NOTE: Delrin locking sleeves available (DLSA-M or F). * Specify number of contacts. * Dummy plugs found on page 65 97</p>	



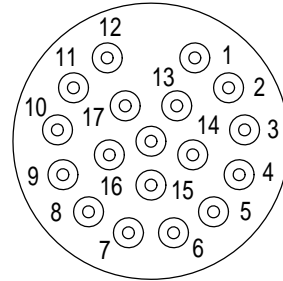


**CONTACT
CONFIGURATION**
(MP FACE VIEW)

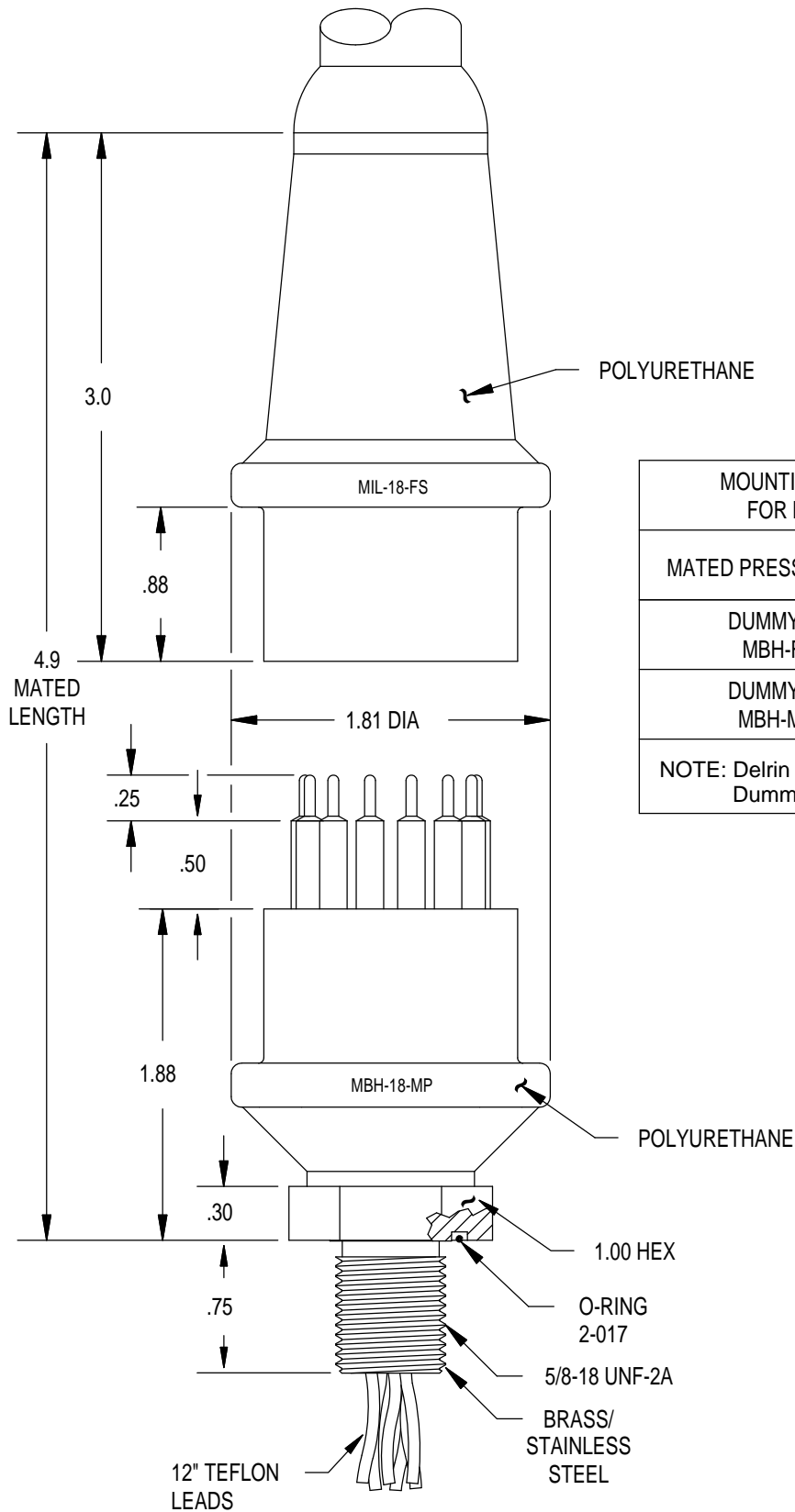


MOUNTING TORQUE FOR MBH-FS/MP	not to exceed 100 in lbs
MATED PRESSURE RATING (psi)	10,000
DUMMY PLUG FOR MBH-FS, MIL-FS, MOM-FS	MDC-**-MP
DUMMY PLUG FOR MBH-MP, MIL-MP, MOM-MP	MDC-**-FS
NOTE: Delrin locking sleeves available (DLSB-M or F). * Specify number of contacts. * Dummy plugs found on page 65 97	

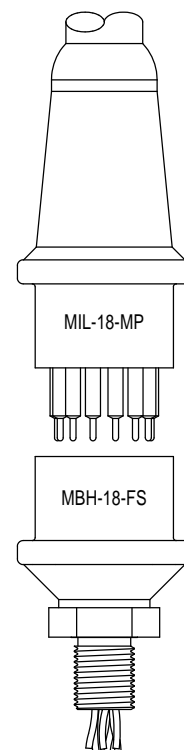
CONTACT
CONFIGURATION
(MP FACE VIEW)

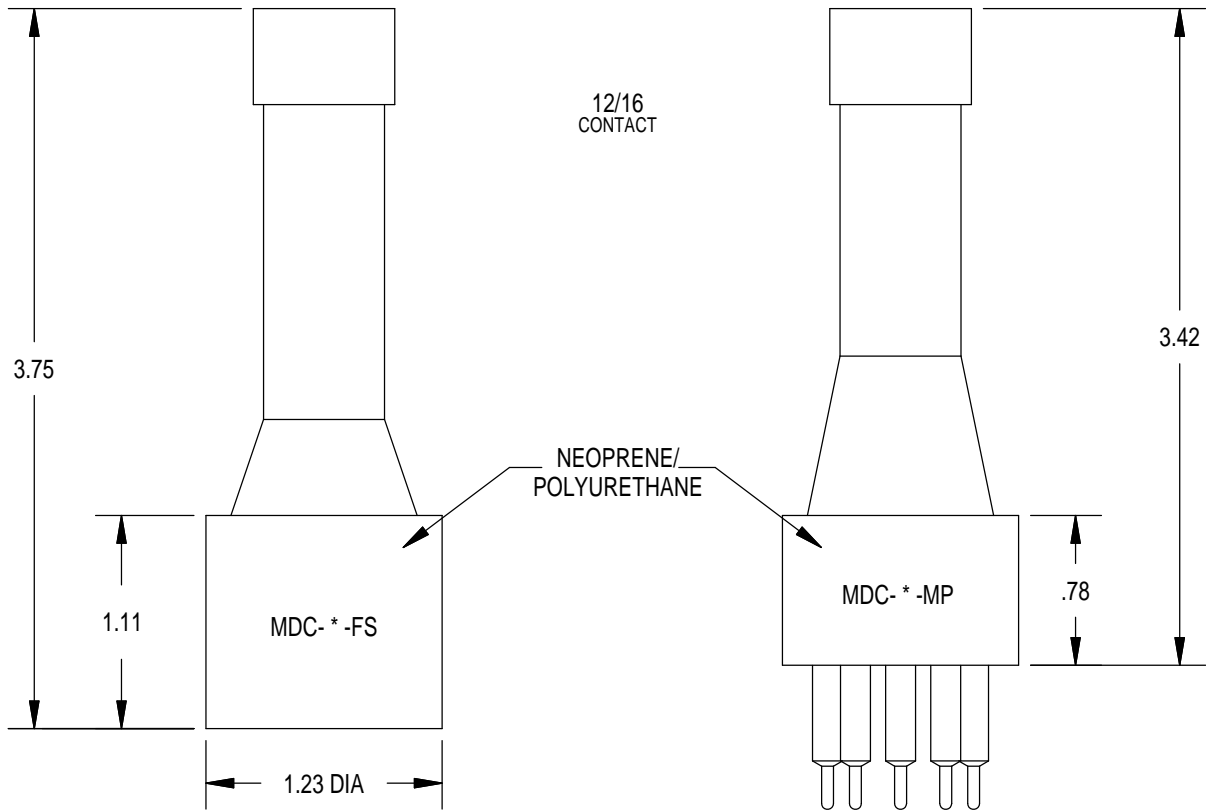
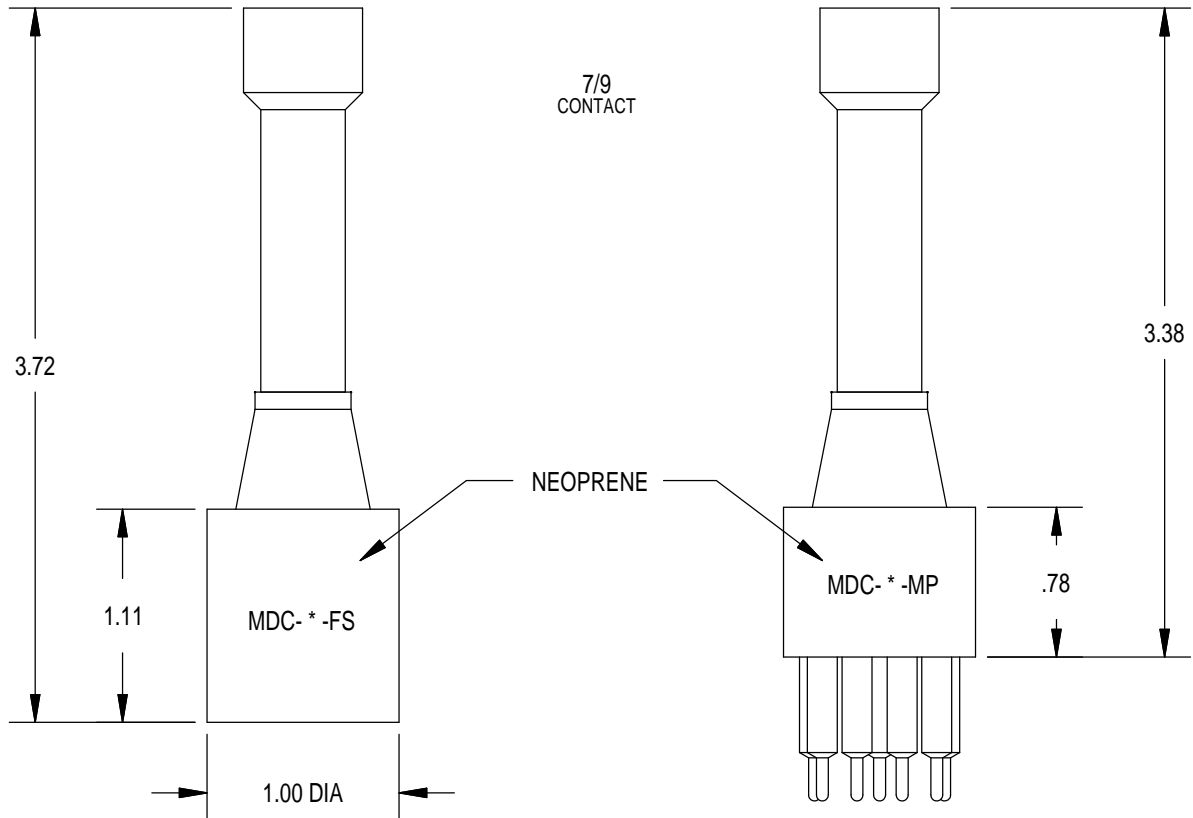


18 CONTACT

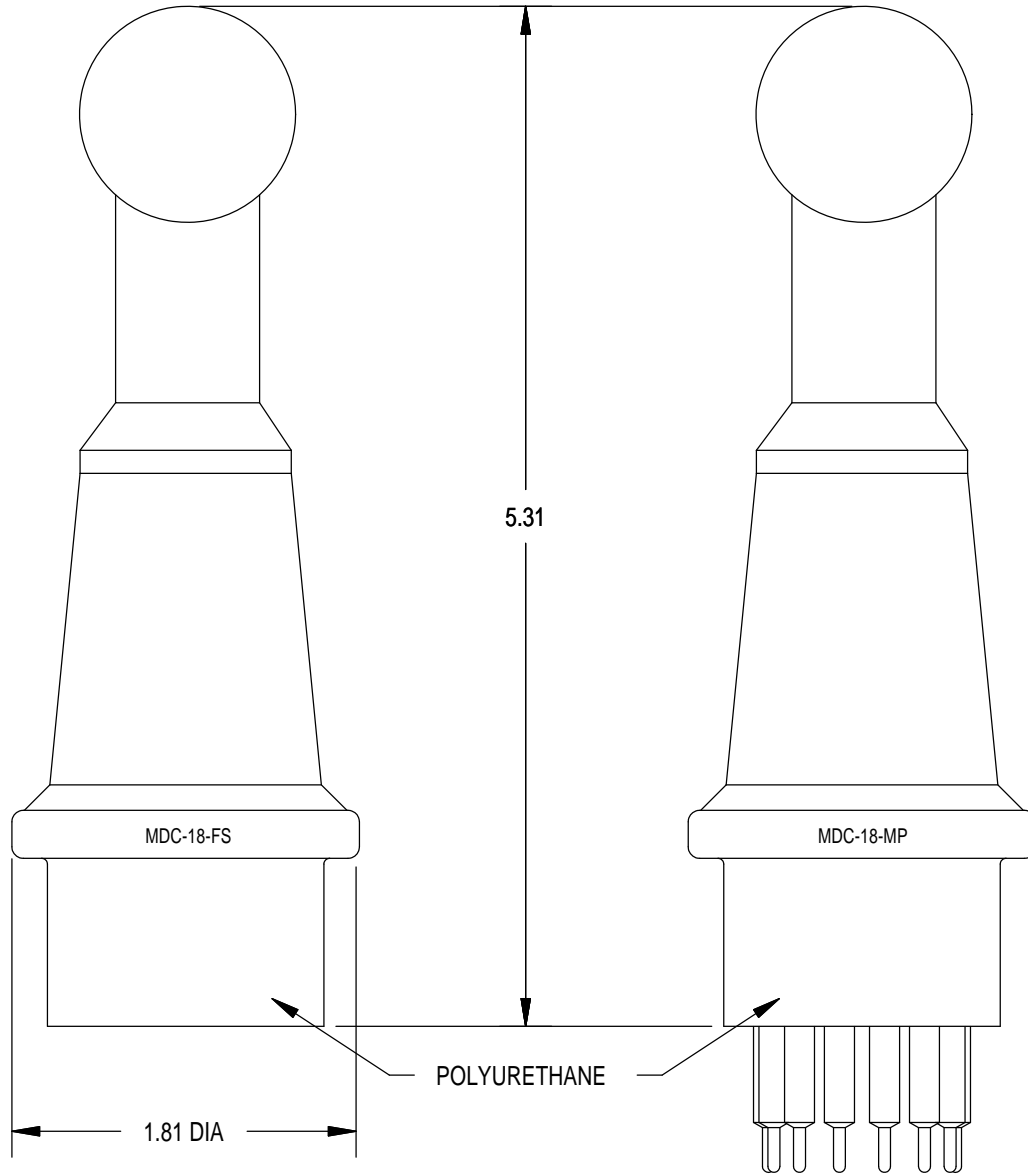


MOUNTING TORQUE FOR BH-FS/MP	not to exceed 100 in lbs
MATED PRESSURE RATING (psi)	10,000
DUMMY PLUG FOR MBH-FS, MIL-FS	MDC-18-MP
DUMMY PLUG FOR MBH-MP, MIL-MP	MDC-18-FS
NOTE: Delrin locking sleeve available (DLSD-M or F). Dummy plugs found on page 65 98	





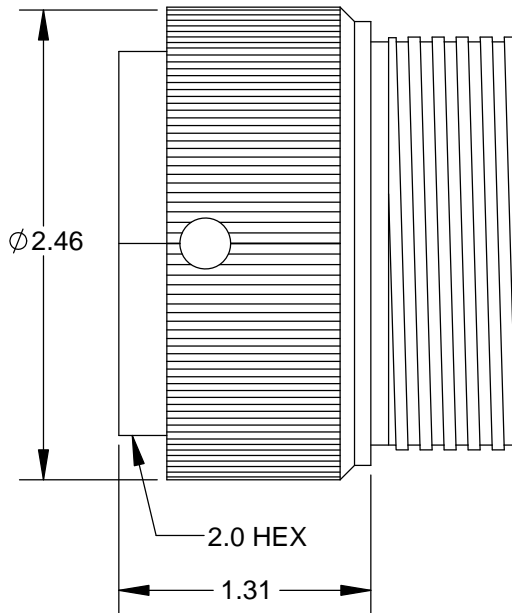
*Specify number of contacts



DELTRIN LOCKING SLEEVES

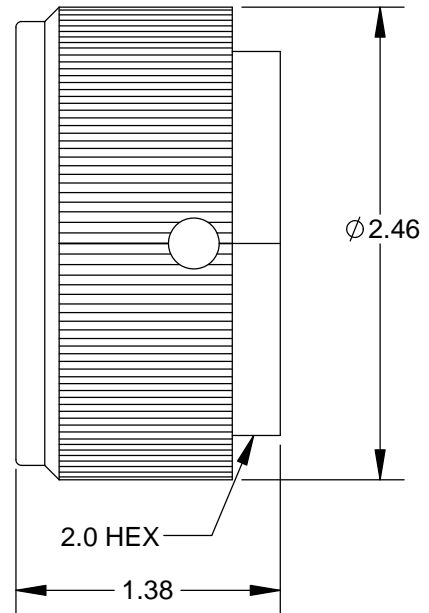
MALE

DLSD-M



FEMALE

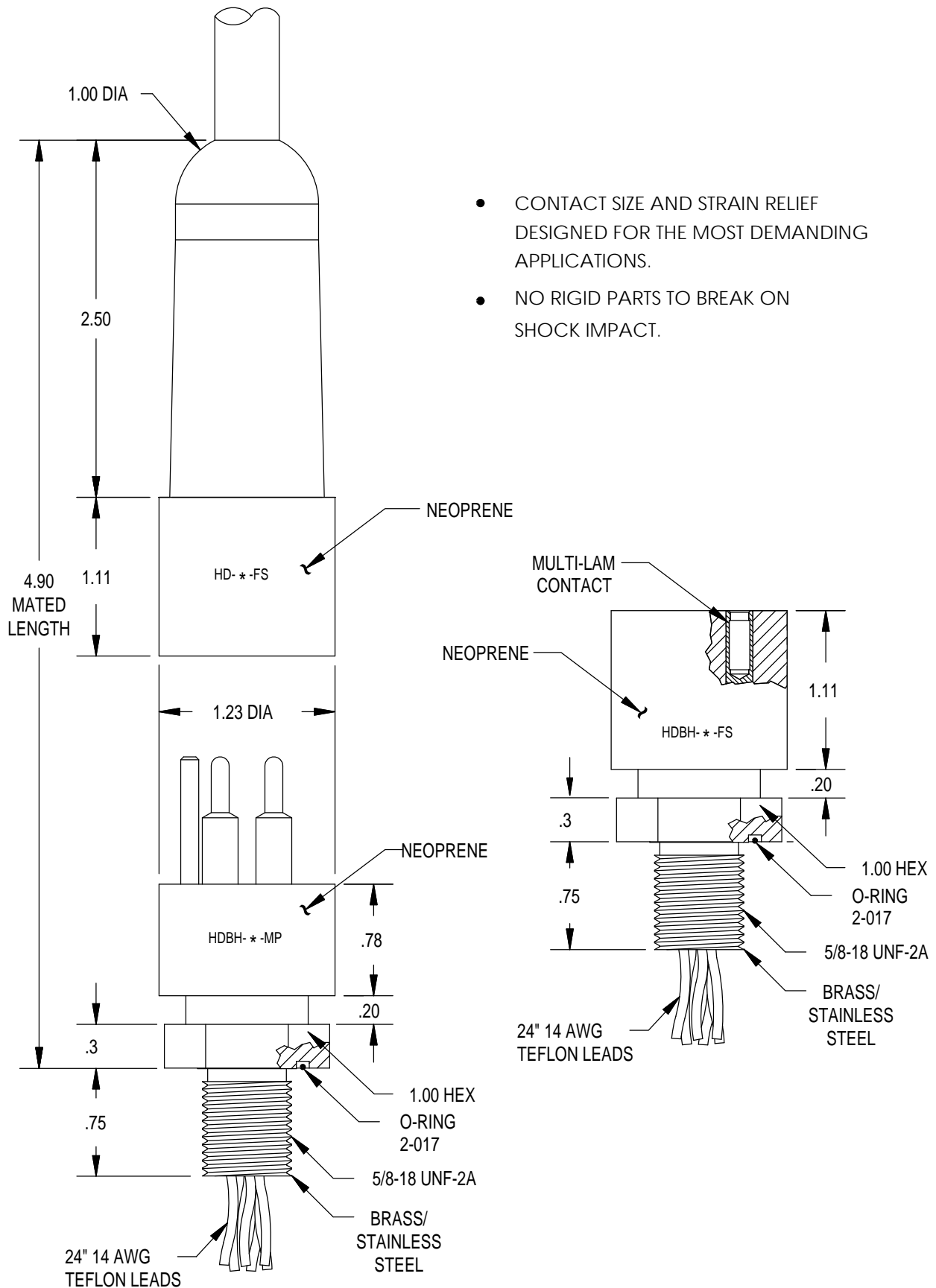
DLSD-F



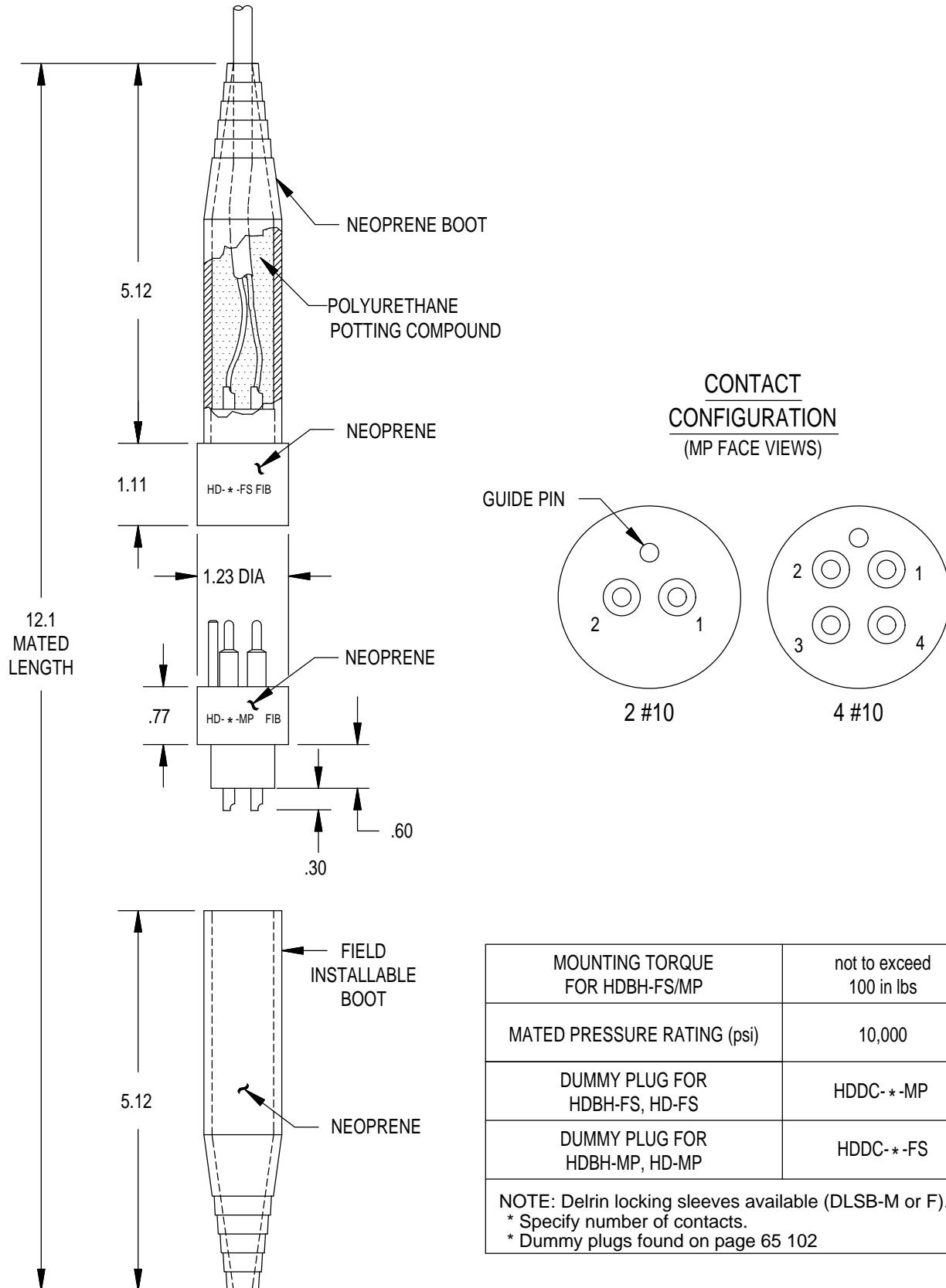
LOCKING SLEEVES FOR:
MBH/MIL-18-FS/MP

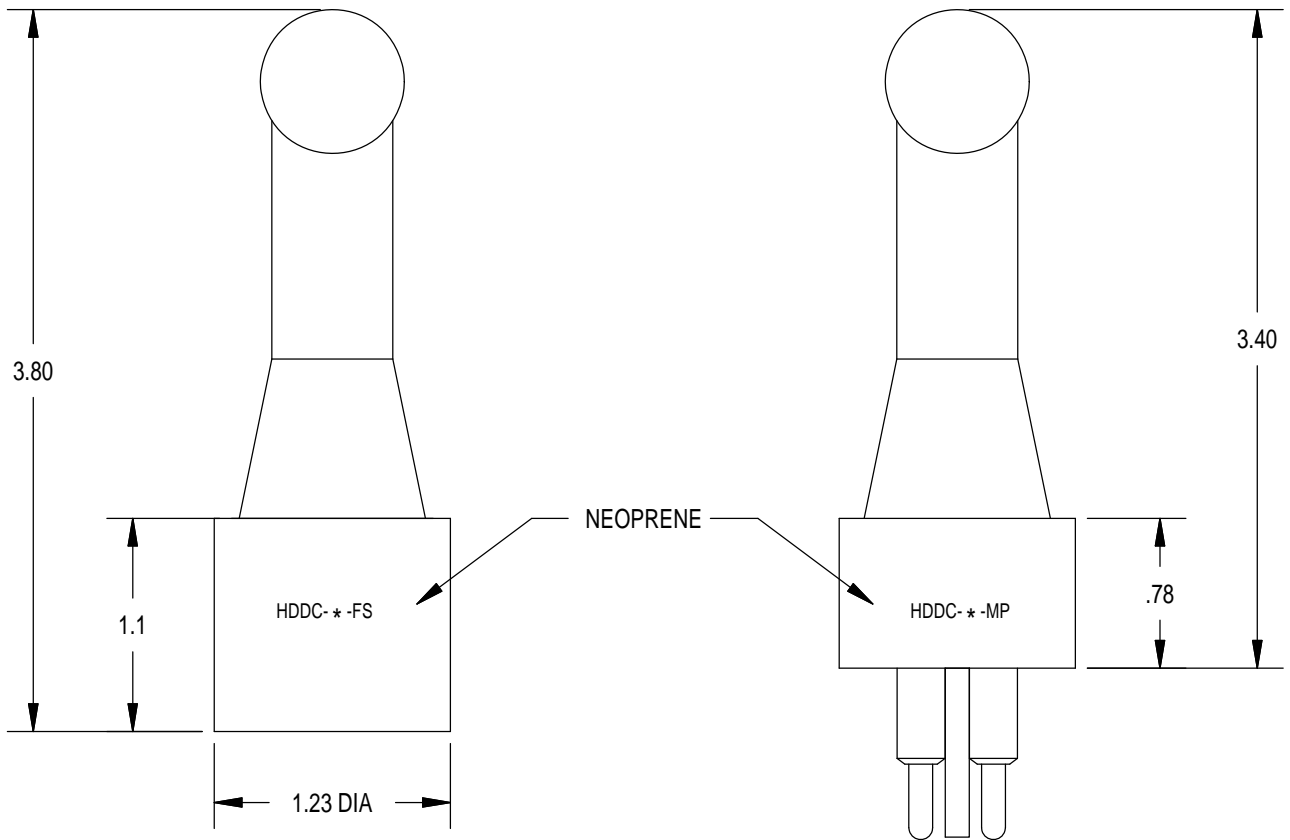
HDBH-2/4

GEOPHYSICAL CONNECTORS



- CONTACT SIZE AND STRAIN RELIEF DESIGNED FOR THE MOST DEMANDING APPLICATIONS.
- NO RIGID PARTS TO BREAK ON SHOCK IMPACT.





*Specify number of contacts